

ROBUS®

DOWNLIGHTS

RAMADA LED FIRE RATED

8.5W, IP65



PRODUCT INFORMATION DOCUMENT

FEATURES

- Complete with white and brushed chrome trims
- Polished chrome trim available as accessory
- Dimmable with selected leading and trailing edge dimmers
- Available in 3000K or 4000K options

CONSTRUCTION

- White Powder Coating Process to steel housing
- Die-cast aluminium body
- Die-cast aluminium body
- Pressed steel insulation stand-off
- Spring steel ceiling fixing clips with PVC covers



WARRANTY



LUMINAIRE LIFETIME



LUMENS PER W



FIRED RATED



IP RATING



OPERATING VOLTAGE



BEAM ANGLE



CCT



DIMMABLE



SAFETY CLASS

Product Code:	RRA083060-01	RRA084060-01
Comparable to:	50W LV Halogen	50W LV Halogen
Total Power (W):	6.6	6.7
Power Factor:	0.9	0.9
Total Light Output (lm):	590	640
Total Emergency Light Output (lm):	NA	NA
Efficacy (lm/cctW):	90	97
Lux at 1m (lux):	620	640
Emergency Lux at 1m (lux):	NA	NA
CCT (K):	3000	4000
CRI:	80	80
IP:	65	65
Operation Temperature (°C):	-20 ≤ Ta ≤ +40	-20 ≤ Ta ≤ +40
Inrush Current:	18A/5us	18A/5us
RG Value:	0	0
SDCM:	6	6
P _{st} LM:	0.1	0.1
SVM:	0.7	0.7
Energy Class:	F	F
Rated Life to L70B50 (Hrs):	30000	30000
Dimensions ØxH (mm):	86x94	86x94
Cut Out (mm):	70	70
Weight (kg):	0.3	0.3

Separate Control Gear Information

Type of Light Source:	LED	LED
Full Load Efficiency (%):	NA	NA
P _{NET} (W):	NA	NA
Dimensions (mm):	NA	NA

Product is certified to all the relevant standards.

Please contact our technical department for market specific compliances.

PLEASE NOTE: INFORMATION IN THIS DOCUMENT MAY BE SUBJECT TO CHANGE WITHOUT PRIOR NOTICE

IRE: TEL: +353 1 709 9000
 UK: TEL: 0800 973 220
 AUS: TEL: +61 7 3890 5444
 NZ: TEL: +64 03 668 5285

WEB: ROBUS.COM
 WEB: ROBUS.COM
 WEB: ROBUS.COM.AU
 WEB: ROBUSLED.CO.NZ

LED GROUP EUROPE · UK · AUSTRALIA · NEW ZEALAND · ASIA · MIDDLE EAST · AFRICA

ROBUS®

DOWNLIGHTS

RAMADA LED FIRE RATED

8.5W, IP65

Cone Illuminance Diagram

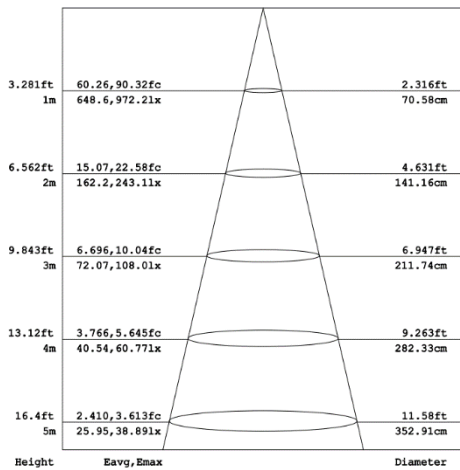
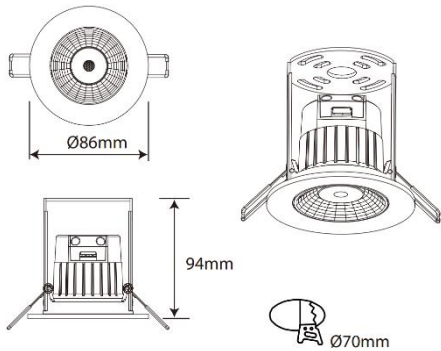


Diagram for RRA083060-01 in 3000K. Other diagrams available on request

Dimension Diagram



Sensor Data

Time Off Delay:	NA
Illuminance Switching Range:	NA
Sensitivity Range (%):	NA
Mounting Height (max):	NA
Detection Zone Diameter (max):	NA

Polar Intensity Diagram

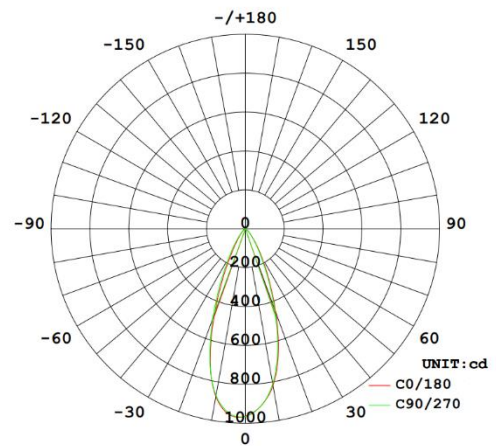


Diagram for RRA083060-01 in 3000K. Other diagrams available on request

Accessories

RRATRIM-03	Brushed Chrome Trim
RLA400DT	LOADPRO 3W Min to 150W Max LED Dimmer

PLEASE NOTE: INFORMATION IN THIS DOCUMENT MAY BE SUBJECT TO CHANGE WITHOUT PRIOR NOTICE

IRE: TEL: +353 1 709 9000
 UK: TEL: 0800 973 220
 AUS: TEL: +61 7 3890 5444
 NZ: TEL: +64 03 668 5285

WEB: ROBUS.COM
 WEB: ROBUS.COM
 WEB: ROBUS.COM.AU
 WEB: ROBUSLED.CO.NZ

LED GROUP EUROPE · UK · AUSTRALIA · NEW ZEALAND · ASIA · MIDDLE EAST · AFRICA